

DPS-1064-Pico/5~30W

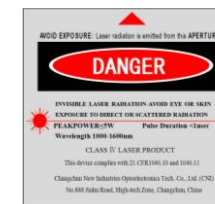
DIODE PUMPED ALL-SOLID-STATE PICOSECOND PULSED LASER

Diode pumped all solid state picosecond pulsed laser at 1064nm has the features of short pulse duration, high repetition rate and high average power, which is widely used in industrial processing, glass cutting, physics experiment, scientific research, and so on.

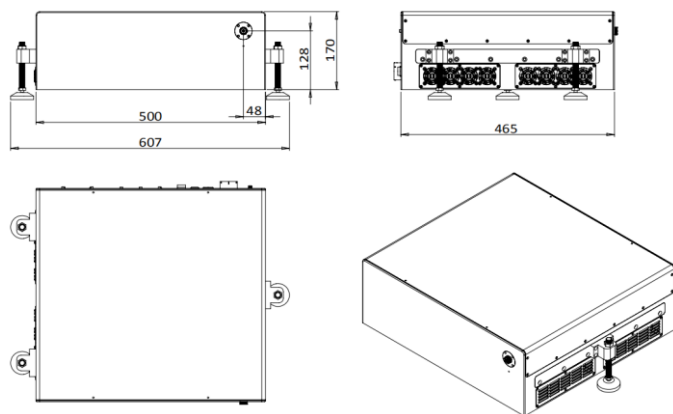


SPECIFICATIONS

Wavelength (nm)	1064±1	
Operating mode	Pulsed	
Output power (W)	5~30	
Power stability (rms, over 4 hours)	<1% , <3%	
Pulse width (ps)	<50	50~1000(adjustable)
M ² factor	<1.5	
Beam diameter (mm)	~2	
Repetition frequency (MHz)	0.1~10	
Beam height from base plate (mm)	128	
Cooled method	Air cooled	
Warm-up time (minutes)	<15	
Operating temperature (°C)	15~30	
Power supply (AC 220V)	PSU-DPS-Pico	
Expected lifetime (hours)	10000	
Warranty	1 year	

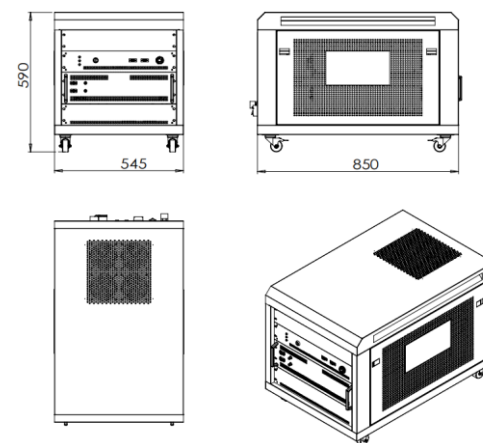


DPS-1064-Pico



465(L)×500(W)×170(H) mm³ 65kg

PSU-DPS-Pico



850(L)×545(W)×590(H) mm³ 85kg