

DPS-1064-BS-D/30~100mJ

## HIGH ENERGY DIODE PUMPED ALL-SOLID-STATE Q-SWITCHED LASER

High energy diode pumped all solid state Q-switched laser at 1064nm has the features of high single pulse energy, short pulse duration, and high peak power, which is widely used in LIBS, LIF, ICP-MS, LCD repair, scientific research, and so on.

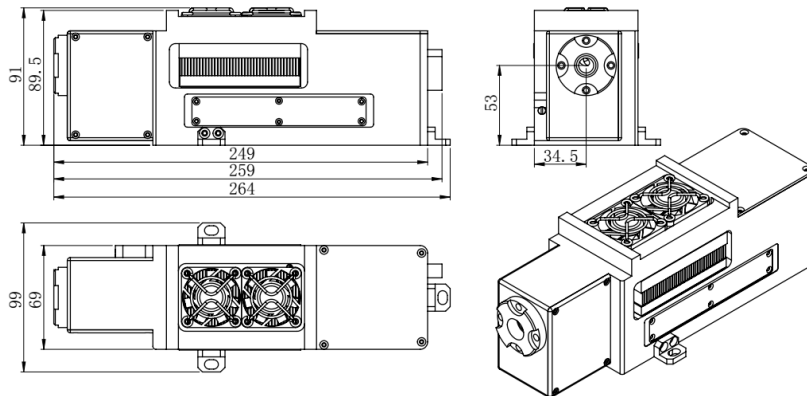


### SPECIFICATIONS

Wavelength (nm)	1064±1			
Operating mode	Q-switched: EO (Electro-optic)			
Single pulse energy (mJ)	30	50	80	100
Pulse duration (ns)	<10			
Rep. rate (Hz)	1~20, EXT (adjustable)			
Energy stability (std dev/mean)	<1%, <3%, <5%			
Beam divergence, full angle (mrad)	≤3			
Beam diameter (mm)	~5			
Warm-up time (minutes)	<15			
Beam height from base plate (mm)	53			
Cooled method	Air cooled			
Operating temperature (°C)	15~30			
Power supply	PSU-DPS-BS-D			
Expected lifetime (pulses)	10 <sup>9</sup>			
Warranty period	1 year			

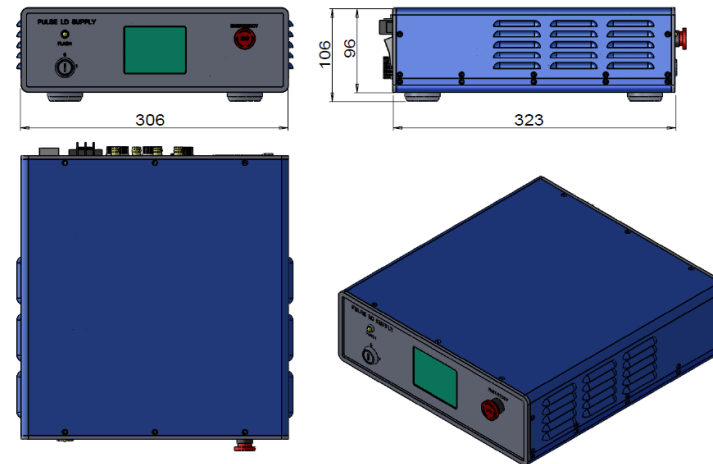


DPS-1064-BS-D



264(L)×69(W)×91(H)mm<sup>3</sup>, 5 kg

PSU-DPS-BS-D



323(L)×306(W)×106(H) mm<sup>3</sup>, 6kg