

MIL-N-1064/4~5W



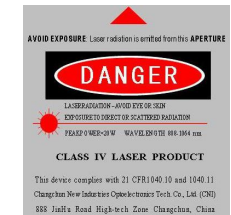
LD PUMPED ALL-SOLID-STATE INFRARED LASER AT 1064 nm

All solid state infrared laser at 1064 nm is made features of ultra compact, long lifetime and easy operating, which is used in scientific experiment, optical instrument, optical sensor, measurement, communication, spectrum analysis, etc.

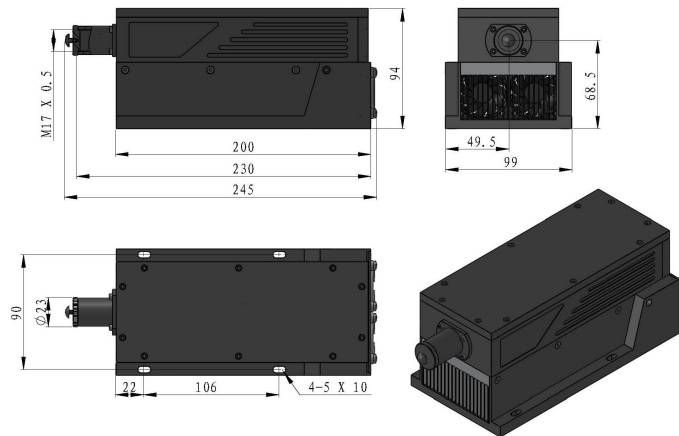


SPECIFICATIONS

Wavelength (nm)	1064±1	
Operating mode	CW	
Output power (W)	>4, 4.2, 4.4, ... ,5	
Power stability (rms, over 4 hours)	<1%, <2%, <3%, <5%	
Transverse mode	Near TEM ₀₀	
M ² factor	<3.0	
Beam divergence, full angle (mrad)	<1.5	
Beam diameter at the aperture (1/e ² ,mm)	~3.0	
Warm-up time (minutes)	<10	
Polarization ratio	>100:1	
Beam height from base plate (mm)	68.5	
Pointing stability after warm-up (mrad)	<0.05	
Operating temperature (°C)	10~35	
Power supply (90-264VAC)	PSU-H-LED	PSU-H-FDA
TTL / Analog modulation	TTL or Analog with 1Hz-1kHz 1kHz-10kHz, 10kHz-30kHz optional	
Expected lifetime (hours)	10000	
Warranty period	1 year	

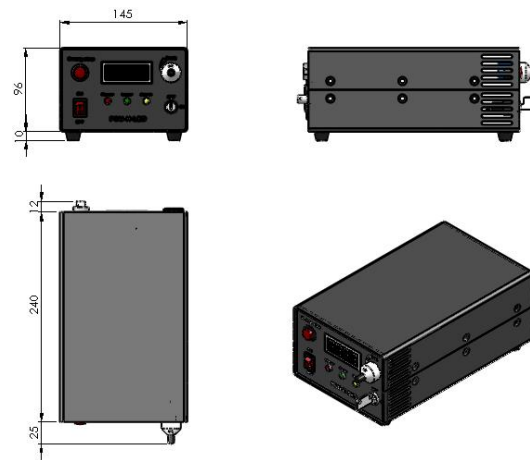


MxL-N-1064



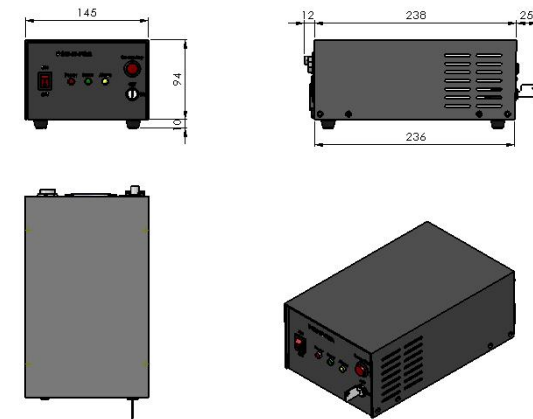
245 (L) ×99 (W) ×94 (H) mm³, 2.5 kg

PSU-H-LED



277 (L) ×145 (W) ×106 (H) mm³, 2.6 kg

PSU-H-FDA



275 (L) ×145 (W) ×104 (H) mm³, 2.4 kg